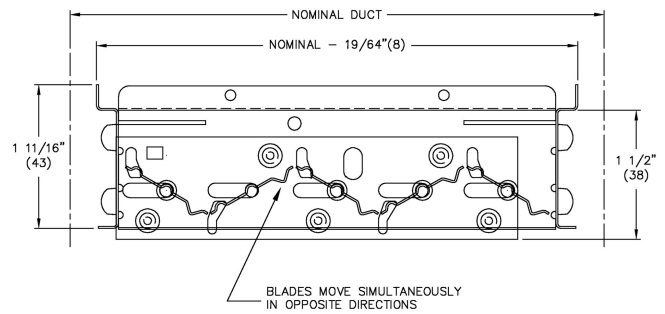
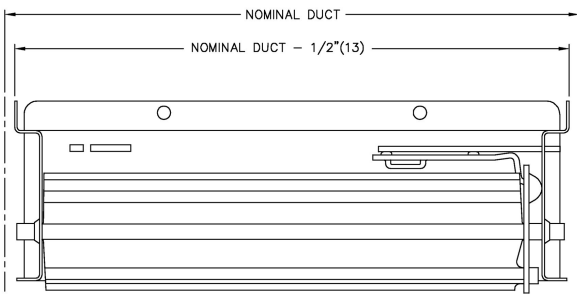
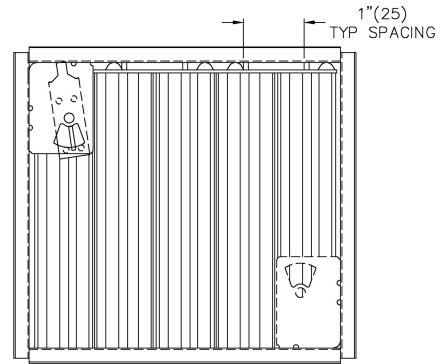
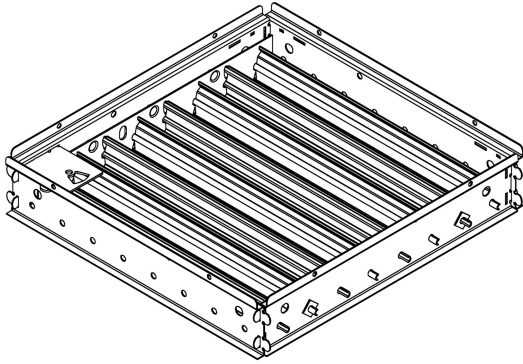


VCS3 Steel Opposed Blade Damper



Notes:

- Used as a grille and diffuser accessory for mounting behind the outlet
- Operator A: Screwdriver Slot Operator
- Factory tolerance $\pm 1/32$ " (1)

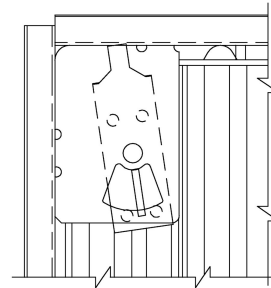
Material:

- Coated Steel Construction

Finish:

- MILL: Mill Finish

Operator A:



PROJECT:
ENGINEER:
CUSTOMER:

SUBMITTAL DATE: