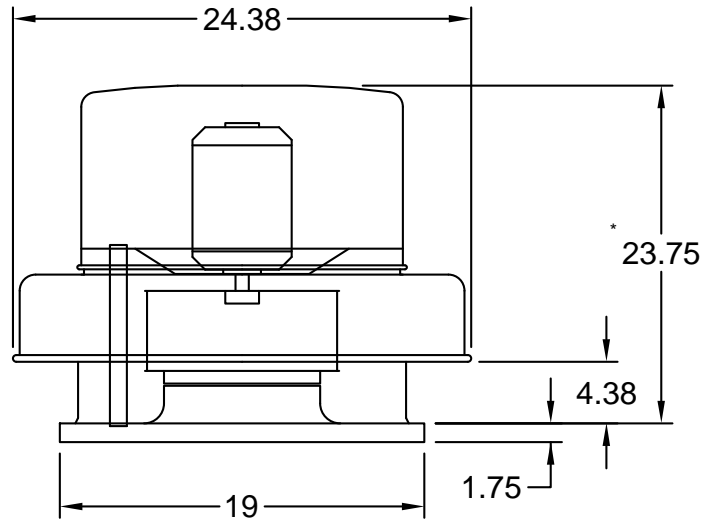


Model: G-103-B

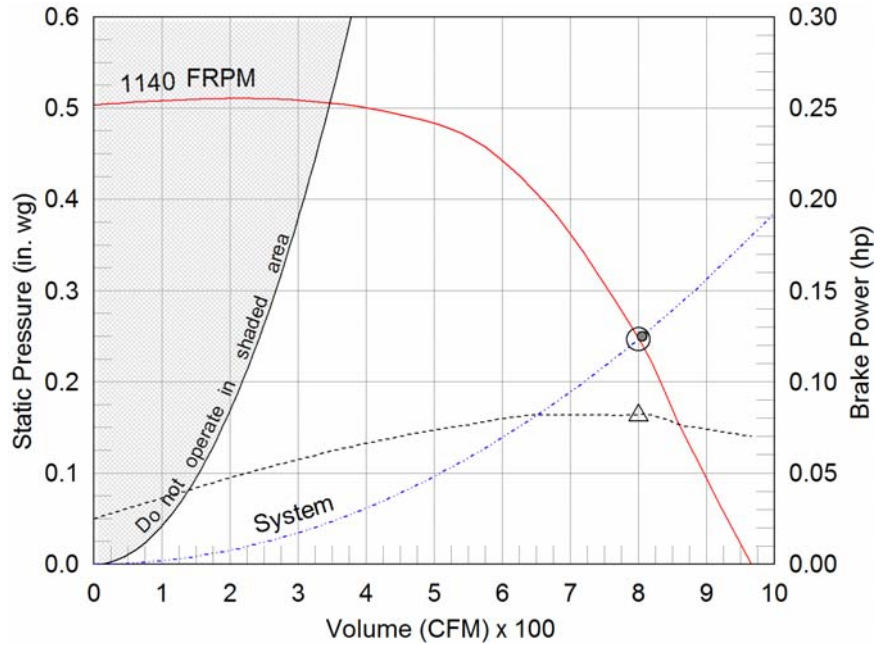
Direct Drive Centrifugal Roof Exhaust Fan

Dimensional	
Quantity	1
Weight w/o Acc's (lb)	52
Weight w/ Acc's (lb)	52
Max T Motor Frame Size	56
Roof Opening (in.)	14.5 x 14.5



*Overall height may be greater depending on motor

Performance	
Requested Volume (CFM)	805
Actual Volume (CFM)	800
External SP (in. wg)	0.25
Total SP (in. wg)	0.247
Fan RPM	1140
Operating Power (hp)	0.08
Elevation (ft)	1,106
Airstream Temp.(F)	70
Air Density (lb/ft3)	0.072
Tip Speed (ft/min)	3,320
Static Eff. (%)	38



Motor	
Motor Mounted	Yes
Size (hp)	1/6
Voltage/Cycle/Phase	115/60/1
Enclosure	ODP
Motor RPM	1140
Windings	1

- △ Operating Bhp point
 - Operating point at Total SP
 - Operating point at External SP
 - Fan curve
 - - - System curve
 - - - Brake horsepower curve
- | | |
|-----------------------------|---------------|
| External SP | 0.25 in. wg |
| Direct Drive RPM Adjustment | -0.003 in. wg |
| Total SP | 0.247 in. wg |

Sound Power by Octave Band

Sound Data	62.5	125	250	500	1000	2000	4000	8000	LwA	dBA	Sones
Inlet	69	69	66	60	53	51	44	36	62	51	5.8

Notes:

All dimensions shown are in units of in.
 *Please consult factory for actual motor amp draw
 LwA - A weighted sound power level, based on ANSI S1.4
 dBA - A weighted sound pressure level, based on 11.5 dB
 attenuation per Octave band at 5 ft - dBA levels are not
 licensed by AMCA International
 Sones - calculated using AMCA 301 at 5 ft



Model: G-103-B

Direct Drive Centrifugal Roof Exhaust Fan

Standard Construction Features:

- Aluminum housing - Backward inclined wheel - Aluminum curb cap with prepunched mounting holes - Birdscreen - Ball bearing motors (sizes 100-180), sleeve bearing motors (sizes 60-95) - Motor isolated on shock mounts - Corrosion resistant fasteners

Selected Options & Accessories:

Motor with Thermal Overload
PSC Motor
Motor with 40 Degree C Ambient Temperature
Motor with Class B or Greater Insulation
UL/cUL 705 Listed - "Power Ventilators"
Unit Warranty: 1 Yr (Standard)