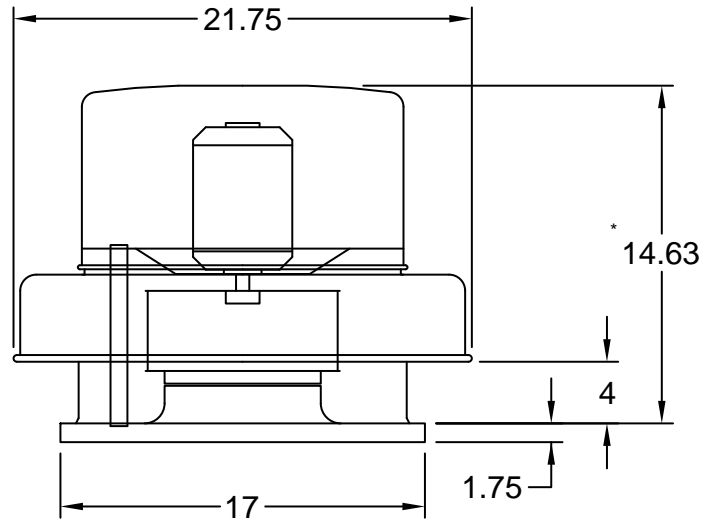


Model: G-085-VG

Direct Drive Centrifugal Roof Exhaust Fan

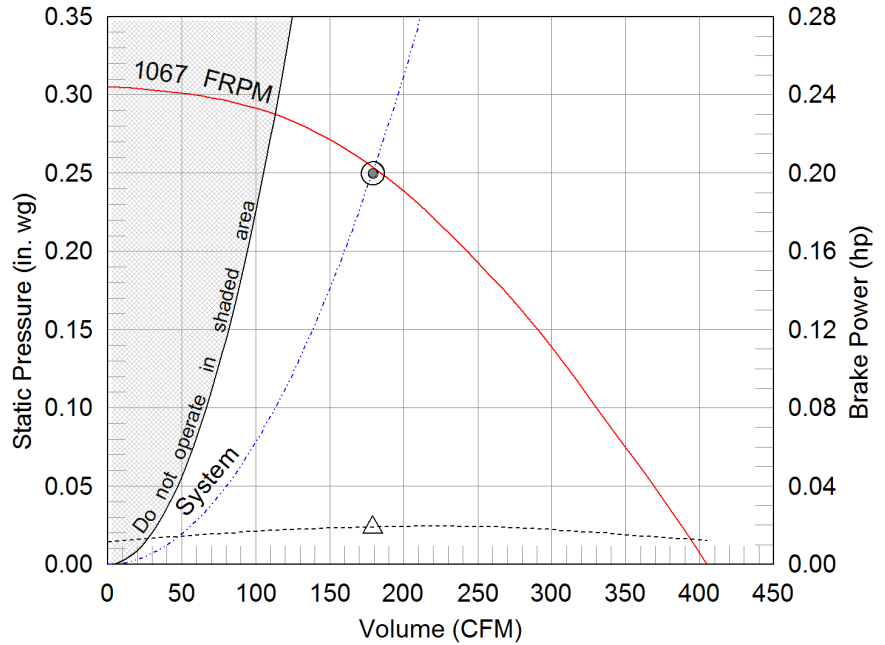


*Overall height may be greater depending on motor

Dimensional	
Quantity	1
Weight w/o Acc's (lb)	23
Weight w/ Acc's (lb)	23
Roof Opening (in.)	12.5 x 12.5

Performance	
Requested Volume (CFM)	179
Actual Volume (CFM)	179
External SP (in. wg)	0.25
Total SP (in. wg)	0.25
Fan RPM	1067
Operating Power (hp)	0.02
Elevation (ft)	1,106
Airstream Temp.(F)	70
Air Density (lb/ft3)	0.072
Tip Speed (ft/min)	3,038
Static Eff. (%)	37

Motor	
Motor Mounted	Yes
Size (hp)	1/10
Voltage/Cycle/Phase	115/60/1
Enclosure	TENV
Motor RPM	1725
Windings	1
FLA (Amps)	2.6



- △ Operating Bhp point
- Operating point at Total SP
- Operating point at External SP
- Fan curve
- - - System curve
- Brake horsepower curve

Sound Power by Octave Band

Sound Data	62.5	125	250	500	1000	2000	4000	8000	LwA	dBA	Sones
Inlet	69	67	60	57	51	44	39	35	59	47	4.4

Notes:

All dimensions shown are in units of in.
 *NEC FLA - based on tables 430.248 or 430.250 of National Electrical Code 2014. Actual motor FLA may vary, for sizing thermal overload, consult factory.
 LwA - A weighted sound power level, based on ANSI S1.4
 dBA - A weighted sound pressure level, based on 11.5 dB attenuation per Octave band at 5 ft - dBA levels are not licensed by AMCA International
 Sones - calculated using AMCA 301 at 5 ft



Model: G-085-VG

Direct Drive Centrifugal Roof Exhaust Fan

Standard Construction Features:

- Aluminum housing - Backward inclined wheel - Aluminum curb cap with prepunched mounting holes - Birdscreen - Ball bearing motors (sizes 100-180), sleeve bearing motors (sizes 60-95) - Motor isolated on shock mounts - Corrosion resistant fasteners

Selected Options & Accessories:

Motor - Vari-Green EC motor w/Mounted Potentiometer Dial
UL/cUL 705 Listed - "Power Ventilators"
Unit Warranty: 1 Yr (Standard)