

Date:

Job:

Mark:



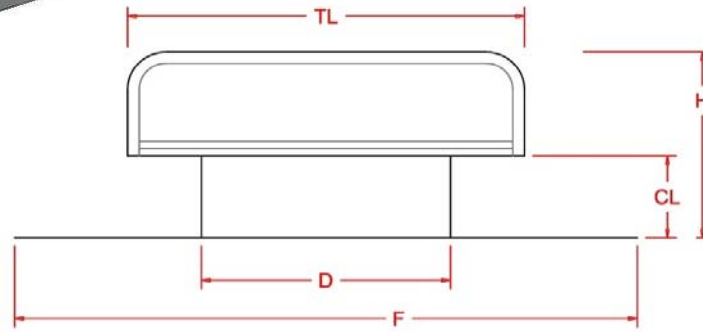
FAMCO

ROOF VENTS, J-VENTS

J-VENTS CLEARANCE - JV__CL



- 28 or 26 Gauge G90 Galvanized steel.
- 1/8" screen installed.
- More clearance for flat and tile roofs.
- For pitched roofs see JV_



ROOF VENTS		-- J-VENT 6" CLEARANCE		3" - 14"			
ITEM #	D	F	CL	H	TW	TL	FREE AREA
JV3CL	3	9X9	6	7 7/8	3	5	7.06
JV4CL	4	9X9	6	8 1/4	4	6 3/8	12.56
JV5CL	5	12X12	6	9 5/16	5	8	19.63
JV6CL	6	12X15	6	9 5/8	6	9 1/2	28.27
JV7CL	7	12X15	6	9 9/16	7	11	38.48
JV8CL	8	15X15	6	10 1/16	8	12 5/8	50.26
JV9CL	9	15X18	6	10 5/16	9	14 3/16	63.61
JV10CL	10	16X20	6	10 9/16	10	15 3/4	78.53
JV12CL	12	20X24	6	10 1/2	12	18 7/8	113.09
JV14CL	14	22X24	6	10	17	18 1/2	153.98



FRESH AIR MANUFACTURING CO.
Technologies in Ventilation

649 N. Ralstin St., Meridian, ID 83642 * (208)884-8931 * (800)-234-1903 * FAX: (208)884-8943