

Date:

Job:

Mark:

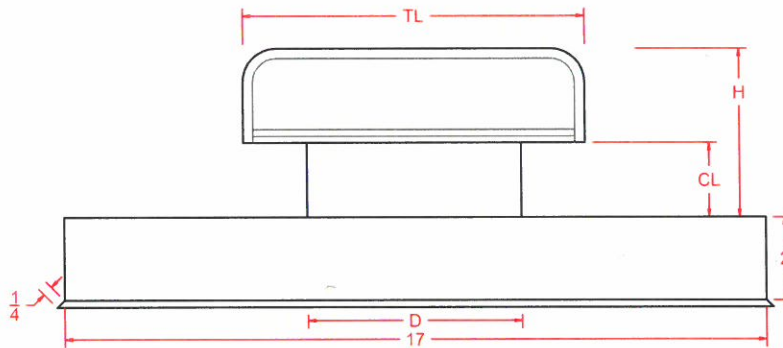


**FAMCO**

# ROOF VENTS, J-VENTS

## J-VENTS 17X17 CM

- 28 or 26 Gauge G90 Galvanized steel.
- 1/8" screen installed
- For larger flanges see **JV\_SB**
- For flat roof or more clearance see **JV\_CL**



ROOF VENTS -- J-VENT 17x17 CM 3" - 14"							
ITEM #	D	F	CL	H	TW	TL	FREE AREA
JV3 17X17 CM	3	17X17	1 ¼	3 ⅛	3	5	7.06
JV4 17X17 CM	4	17X17	1 ¾	3 ½	4	6 ⅜	12.56
JV5 17X17 CM	5	17X17	1 ¾	4 ⅙	5	8	19.63
JV6 17X17 CM	6	17X17	1 ¾	4 ⅞	6	9 ½	28.27
JV7 17X17 CM	7	17X17	1 ¾	4 13/16	7	11	38.48
JV8 17X17 CM	8	17X17	1 ¾	5 5/16	8	12 5/8	50.26
JV9 17X17 CM	9	17X17	1 ¾	5 9/16	9	14 3/16	63.61
JV10 17X17 CM	10	17X17	2	6 5/16	10	15 ¾	78.53
JV12 17X17 CM	12	17X17	2 ½	7	12	18 7/8	113.09
JV14 17X17 CM	14	17X17	3	7	17	18 ½	153.93



**FRESH AIR MANUFACTURING CO.**  
Technologies in Ventilation

649 N. Ralstin St., Meridian, ID 83642 \* (208)884-8931 \* (800)-234-1903 \* FAX: (208)884-8943