

	<b>4" Oval Duct:</b> 100 CFM/1.0 Sone @ 0.1 SP, 14.5 Watts 87 CFM/1.5 Sones @ 0.25 SP, 17.7 Watts	<b>3" Round Duct:</b> 90 CFM/1.5 Sones @ 0.1 SP, 17.4 Watts 73 CFM/2.0 Sones @ 0.25 SP, 16.9 Watts		
	(Additional specifications for 4" Oval Duct)			

**Description**

Low noise ceiling or wall mount ventilating fan, rated for continuous running. ENERGY STAR® qualified. HVI, UL and cUL certified to comply with ASHRAE 62.2 local and whole building continuous and intermittent operation. Meets CA Title 24 and CALGreen requirements.

**Motor/Blower**

- Power rating of 120 volts/60 Hz
- DC brushless motor engineered to run continuously
- Motor equipped with thermal cutoff fuse
- Removable with permanently lubricated motor

**Housing**

- Galvanized steel body
- Detachable 4" oval metal duct adapter
- Built-in backdraft damper
- Includes 4" oval duct to 3" round duct reducer
- Easy installation

**Grille**

- Attractive design using ABS material
- Attaches directly to housing with torsion springs

**LED Indicator**

- Turn the power switch on/off to operate on/off LED indicator will be green when power is on

**Warranty**

- 3-year limited warranty

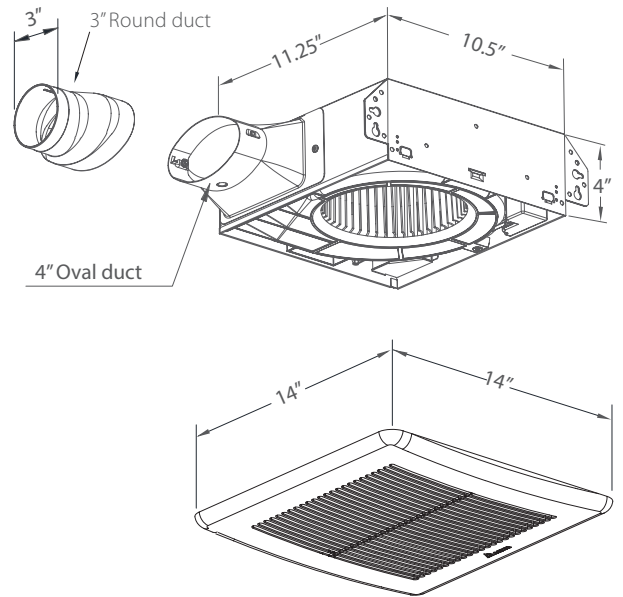
**Feature**

- Green LED indicator.
- Airflow of 100 CFM (±10%) and 1.0 Sone at 0.1 static pressure
- Power consumption approximately 14.5 Watts with an efficiency rating approximately 6.8 CFM/Watt
- UL and cUL listed for tub/shower enclosure when used with GFCI-protected branch circuit wiring

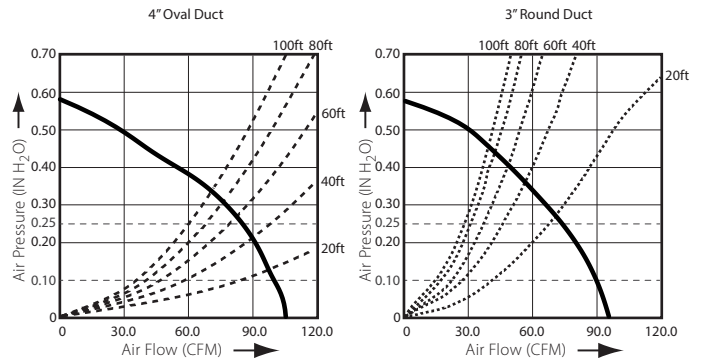
**DC Motor Technology**

- Built-in soft start function to increase bearings' life
- Automatically powers OFF when the impeller is locked abnormally

SLM100 Dimensions



Fan Curve SLM100



SLM100	4" oval duct		3" round duct	
Static Pressure (inches w.g.)	0.1	0.25	0.1	0.25
Air Flow (CFM)	100	87	90	73
Sones	1.0	1.5	1.5	2.0
Power Consumption (Watts)	14.5	17.7	17.4	16.9
Energy Efficiency (CFM/Watt)	6.8	4.9	5.1	4.3
Current (Amps)	0.3 Max			
Power Rating (V/Hz)	120/60			

Tag	Quantity	Comments	Project:
			Location:
			Architect:
			Engineer:
			Contractor:
			Submitted by:
			Date: